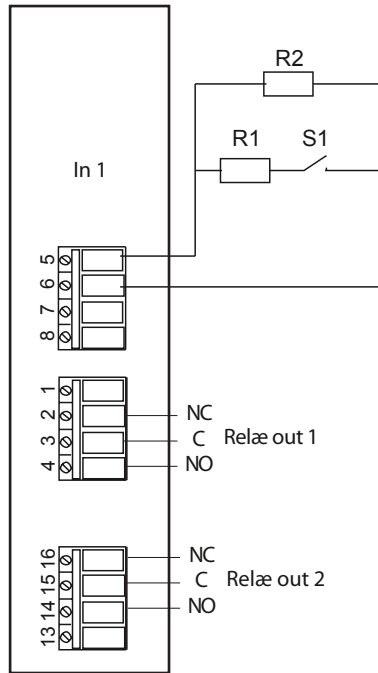


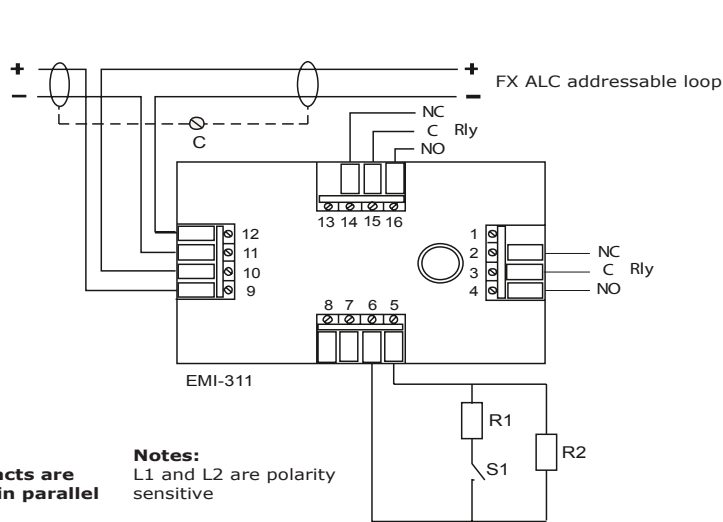
EMI-311

Adresse på modulet:



Tekst (signal giver/ modtager)

EMI-311



S1 = Normally open monitoring circuit


R1 = 1 kΩ
R2 = 20 kΩ ±10% 1/3 W

- 1 = Not Used
- 2 = Relay NC
- 3 = Relay Common
- 4 = Relay NO
- 5 = I/P-
- 6 = I/P+
- 7 = Not Used
- 8 = Not Used
- 9 = L2 (+ve)
- 10 = L2 (+ve)
- 11 = L1 (-ve)
- 12 = L1 (-ve)
- 13 = Not Used
- 14 = Relay NC
- 15 = Relay Common
- 16 = Relay NO

C = Additional connector for shield

Note:
Relay contacts are connected in parallel

Notes:
L1 and L2 are polarity sensitive

				Oversigt over Intellia EMI 311	
				Placering:	
				Anker & Nygaard ApS Gunnar Clusensvej 24 A 8260 Viby J	
				Anker & Nygaard ApS 	
				Rådgivning & Projektstyring	
Udg.	Ændringer	Dato	Navn	Dato	Ref.